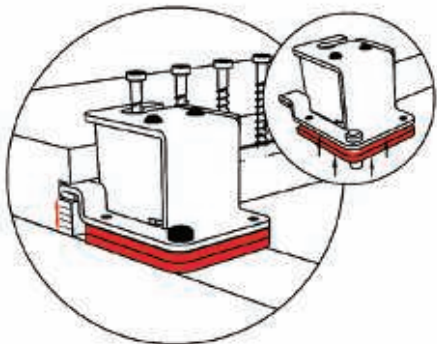


CHAIN™ INSTALLATION PROCESS

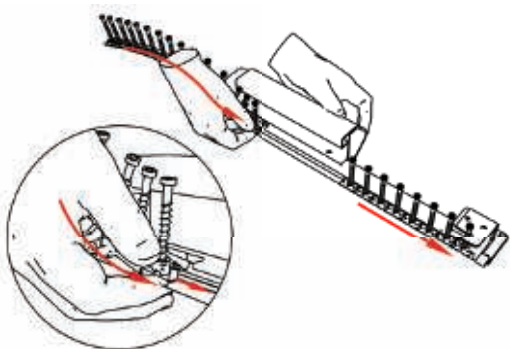
1 ADJUSTING TOOL TO THE BOARD HEIGHT



- Set the height of the hand tool relative to the board groove by adding or removing depth adjustment plates to the base of the hand tool.
- Insert the tool into the groove of the board to ensure that the plates are set to the appropriate height.

NOTE: Should the height be incorrectly set, the clip may not adequately grip the board, or the insertion of the following board may be negatively impacted.

2 USING THE CLIP AND SCREW COLLATION WITH THE HAND TOOL

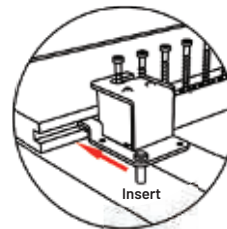


To load a magazine, slide the collation strip into the hand tool via the guide, and then slide the strip to the end of the tool.

3 INSTALLATION OF CLIP

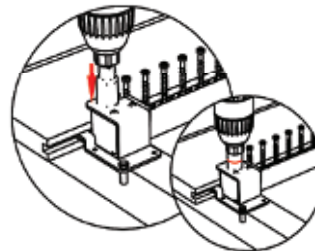
INSERT

Place the hand tool over the joist so that the base rests on the top surface of the joist. Slide the tool back towards the joist until the pivot screw rests firmly against the outer joist face. Finally, push the tool towards the board so that the tool guide slides into the board groove.



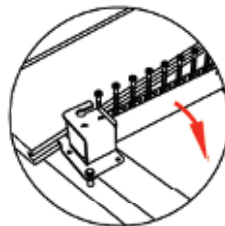
FASTEN

Fasten the clip into place by installing the screw until it is fully seated on the clip. Ensure the head of the screw clears the tool and the board. Use appropriate torque and depth control.



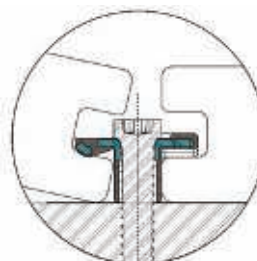
PULL

Rotate the tool away from the board using the screw located against the joist as the pivot point. The action will tear the installed clip from the remaining collation. Slide the collation down the tool so the next clip is ready to install, and repeat.



4 INSERTING THE NEXT BOARD

The following board needs to be inserted under the clip. May use a rubber mallet to ensure engagement of all the clips along the board.



chain™
Collated decking clip



**UNIVERSAL COLLATED
HIDDEN DECK FASTENER**

A PRODUCT BY **HULK FASTENERS™**

CHAIN™ COLLATED CLIP OVERVIEW

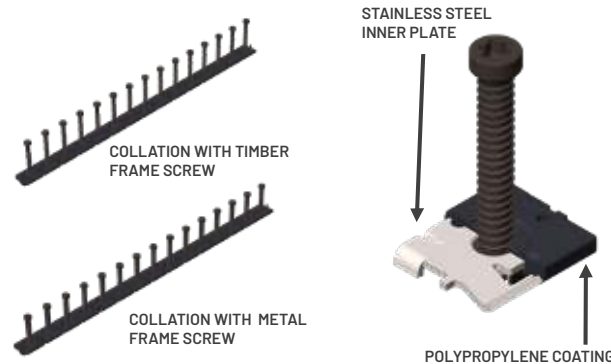
Chain™ collated clips are pre-loaded with screws for a more efficient installation and designed to work with both timber and composite boards of variable thickness. The durable stainless steel clips are equipped with a long-lasting polymer coating and have proven strength in uplift holding power to prevent the lateral movement of boards. The innovative engineering of the collated clip creates a more cost-effective fastener with reliable integrity and easier post-installation board removal.



CHAIN™ COLLATED CLIP OVERVIEW

The Chain™ collated clip consists of a formed stainless steel skeleton wrapped in a polypropylene coating. The polypropylene also makes up the compressible base of each clip and the collation between adjacent clips. Screws for either metal or timber substructure applications are then preloaded into the collation.

Comes pre-loaded with either metal or timber frame screws



FEATURES AND BENEFITS



MORE EFFICIENT INSTALLATION

Collated system pre-loaded with screws for quicker installation



DURABLE

Stainless steel clip with a protective polymer coating for extended longevity



IMPROVED INSTALLATION PRECISION

Tool and clip improvements result in enhanced installation quality



UNIVERSAL APPLICATION

Timber & composite boards of variable thickness & groove depths



SYSTEM OPTIMIZATION

Improved distribution of loads on fixing system.

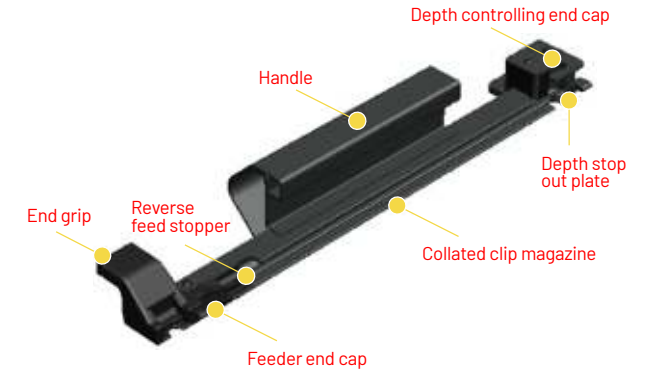


POST-INSTALLATION ACCESS

Convenient post-installation board removal with direct overhead fastener access

CHAIN™ HAND TOOL

The Chain™ hand tool helps by maximising installation efficiency. The hand tool creates precise fastening thanks to its built-in depth control system that eliminates installation errors and weak connections. The hand tool is compatible with a wide range of composite and timber board sizes, ergonomically designed for ease of use, and made from high quality materials for long-lasting reliability.



CHAIN™ HAND TOOL BENEFITS:

- MAXIMISES INSTALLATION EFFICIENCY**
 Improves the speed & accuracy of installing Chain™ collated clips
- PRECISE FASTENING**
 Built-in depth control to reduce installation errors
- ADJUSTABLE & COMPATIBLE**
 Ideal for use with wide range of composite & timber board sizes
- ERGONOMIC**
 Designed for ease of use & simple loading of collations
- LONG-LASTING**
 Made from high quality materials for reliable, long-term usage

PACKAGING

VERSION	QUANTITY	APPROXIMATE COVERAGE	OPTIONS
150 SERIES PACK	10 strips of 15 clips with pre-loaded screws	6 to 9 m ² *	Metal and timber substructure options
900 SERIES PACK	60 strips of 15 clips with pre-loaded screws	36 to 54 m ² *	Metal and timber substructure options

*Coverage is dependent on the joist span and board width of the application.

A PRODUCT BY **HULK FASTENERS™**

Johannesburg | Cape Town | Durban | Gqeberha

www.eva-last.co.za | 010 593 9220